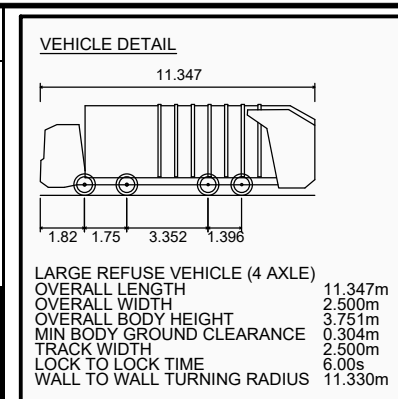


REV.	DETAILS	DRAWN	CHECKED	DATE
A	ACCESS OVRUN AREA UPDATED FOLLOWING RSA COMMENTS	SCJ	DR	21/01/21



STATUS:  
**INFORMATION ONLY**

PROJECT: Lynchmead Farm, Weston-super-Mare

DRAWING TITLE:  
**SWEPT PATH ANALYSIS OF PROPOSED  
SITE ACCESS (ROUNABOUT)  
LARGE REFUSE VEHICLE (4 AXLE)**

DRAWN: SCJ	CHECKED: DR	DATE: 30/11/20	SCALES: 1:500 @ A3
---------------	----------------	-------------------	-----------------------

CLIENT: Mead Realisations Ltd

**vectos.**

5th Floor, 4 Colston Avenue, Bristol, BS1 4ST  
 t: 0117 203 5240 e: enquiries@vectos.co.uk

DRAWING NUMBER: 18/4199-SPA-01	REVISION: A
-----------------------------------	----------------

NOTE: THE PROPERTY OF THIS DRAWING AND DESIGN IS VESTED IN VECTOS (SOUTH) LTD.  
 IT MUST NOT BE COPIED OR REPRODUCED IN ANY WAY WITHOUT THEIR PRIOR WRITTEN CONSENT.