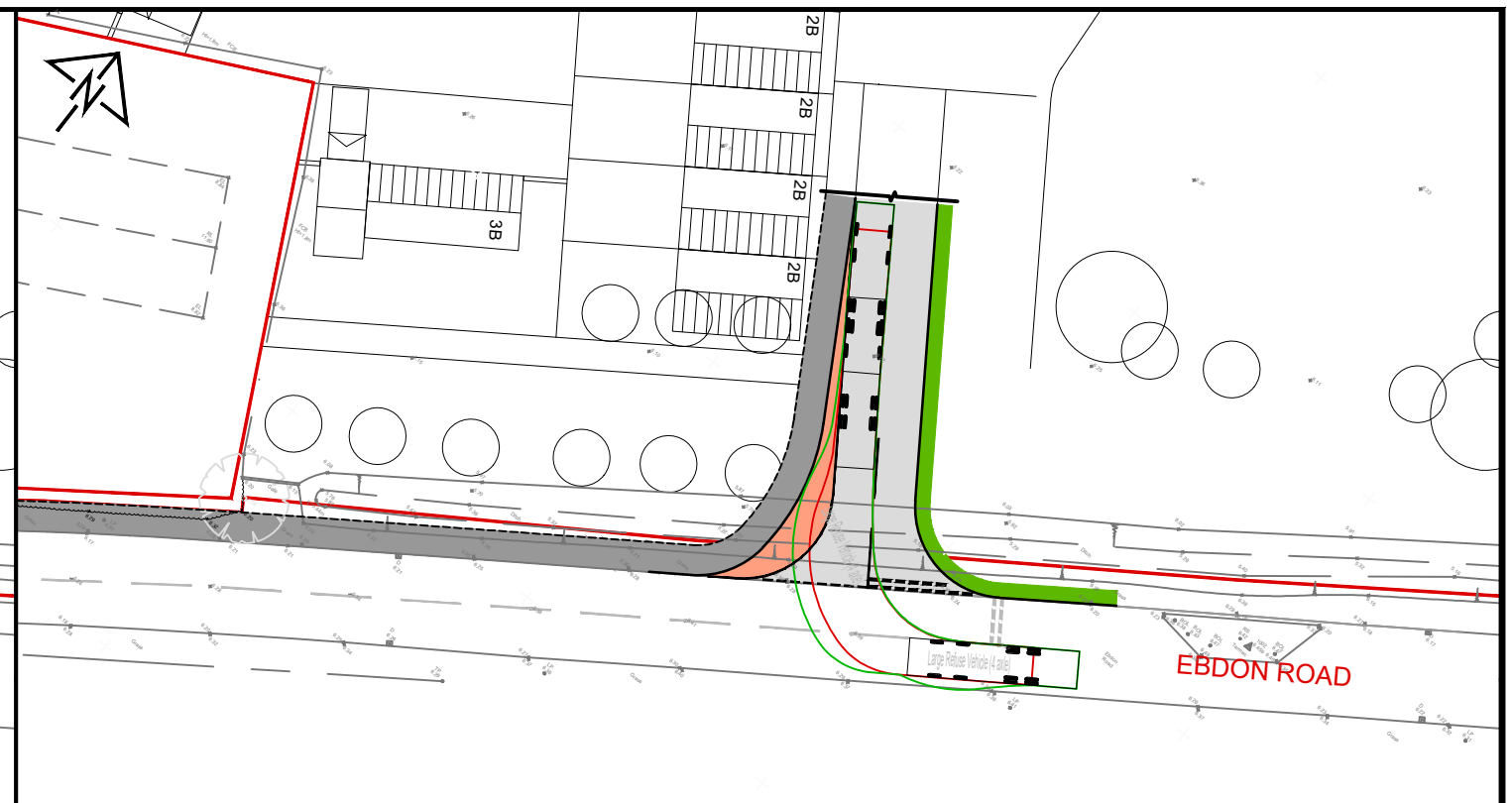




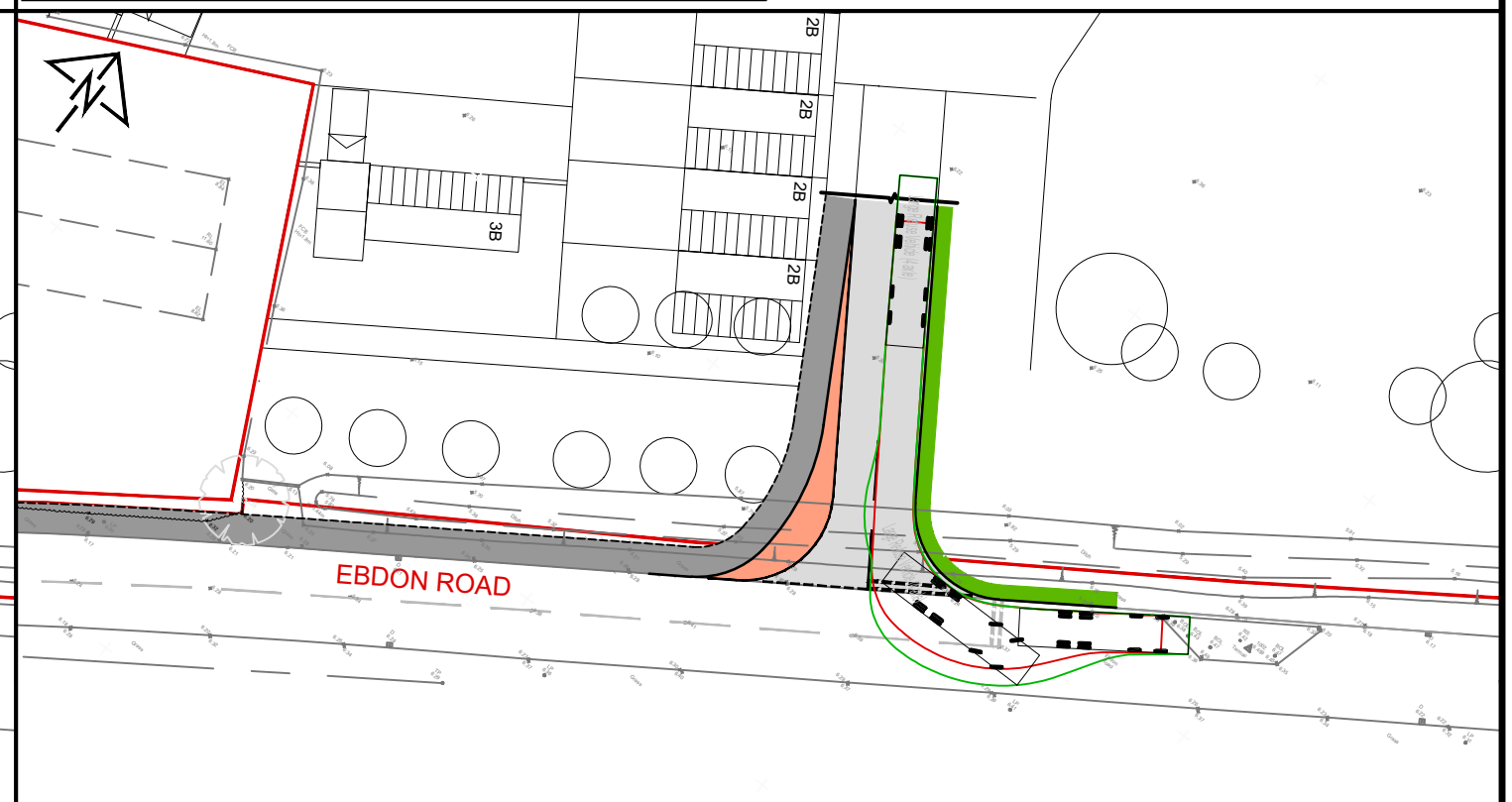
VEHICLE TURNING LEFT INTO SITE FROM EBDON ROAD



VEHICLE TURNING RIGHT INTO SITE FROM EBDON ROAD

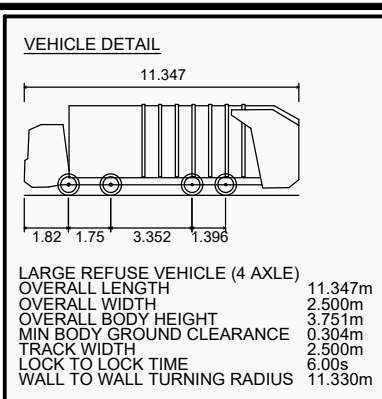


VEHICLE TURNING RIGHT OUT OF SITE ACCESS INTO EBDON ROAD



VEHICLE TURNING LEFT OUT OF SITE ACCESS INTO EBDON ROAD

REV.	DETAILS	DRAWN	CHECKED	DATE
A	ACCESS OVERUN AREA UPDATED FOLLOWING RSA COMMENTS	SCJ	DR	21/01/21



STATUS:
INFORMATION ONLY

PROJECT: Lynchmead Farm, Weston-super-Mare

DRAWING TITLE: SWEPT PATH ANALYSIS OF PROPOSED SITE ACCESS
LARGE REFUSE VEHICLE (4 AXLE)

DRAWN: SCJ	CHECKED: DR	DATE: 30/11/20	SCALES: 1:500 @ A3
------------	-------------	----------------	--------------------

CLIENT: Mead Realisations Ltd

vectos.

5th Floor, 4 Colston Avenue, Bristol, BS1 4ST
t: 0117 203 5240 e: enquiries@vectos.co.uk

DRAWING NUMBER: 18/4199-SPA-02	REVISION: A
--------------------------------	-------------

NOTE: THE PROPERTY OF THIS DRAWING AND DESIGN IS VESTED IN VECTOS (SOUTH) LTD. IT MUST NOT BE COPIED OR REPRODUCED IN ANY WAY WITHOUT THEIR PRIOR WRITTEN CONSENT.