

KEY

BS 5837:2012 Tree Category
A B C U

TREE CONSTRAINTS INFORMATION

- TAG Tree / Group Reference (by category)
- Individual tree (by category)
- Tree group/hedge (by category)
- Root protection area - RPA (BS5837)
- RPA Modified due to site conditions
- Attenuation system

TREE PROTECTION PLAN - DETAILS

- Tree / Hedge Removal**
- Tree to be removed
 - Section of hedge to be removed
- Arboricultural Method Statement/s**
- All AMS areas are to be worked in strict accordance to detailed arboricultural method statements.
- Special protection area - attenuation installation and works in RPA
- AMS: a detailed Arboricultural Method Statement to be agreed with the LPA prior to commencement of development

- Construction Exclusion Zone/s**
- Construction Exclusion Zone - CEZ
- All operations inside of Tree Protective Fencing are to be supervised by an appointed arboriculturalist.

- Tree protective barrier/s**
- Tree protective fence / barrier (See Detail 1)
 - Tree protective fence / barrier (See Detail 4)

Documents/plans supplied by client for use in this drawing:
 Topo Survey: Ref 1622
 Master plan layout: 180809 L 02 02 A
 Illustrative Masterplan

Accompanying documents which must be read in conjunction with this drawing:
 05201 Tree Survey March 2019

- Notes**
- All dimensions are in metres, unless otherwise stated.
 - The original of this drawing was produced in colour, a monochrome version should therefore not be relied upon.

Client:	Mead Realisations Ltd
Project:	Land at Lynchmead Farm
Title:	Tree Protection Plan 02
Date:	20/4/21
Scale:	1/500 @ A1
Drawn:	DS
Checked:	DS

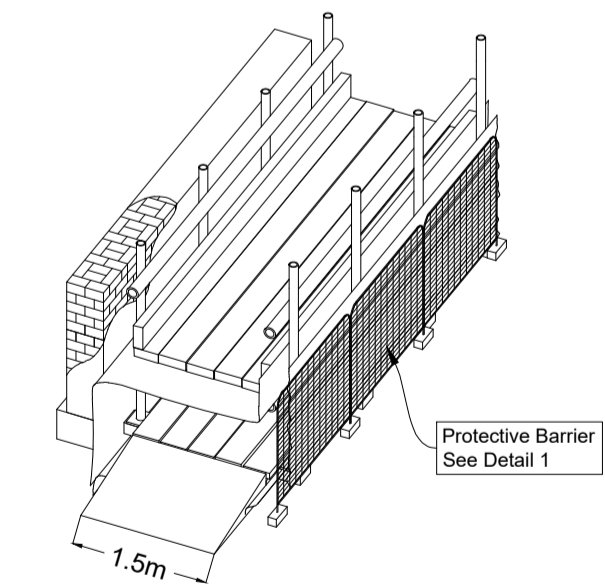
Dwg Ref: 05201 TPP TRRP Rev B 20.4.21

ASPECT TREE CONSULTANCY

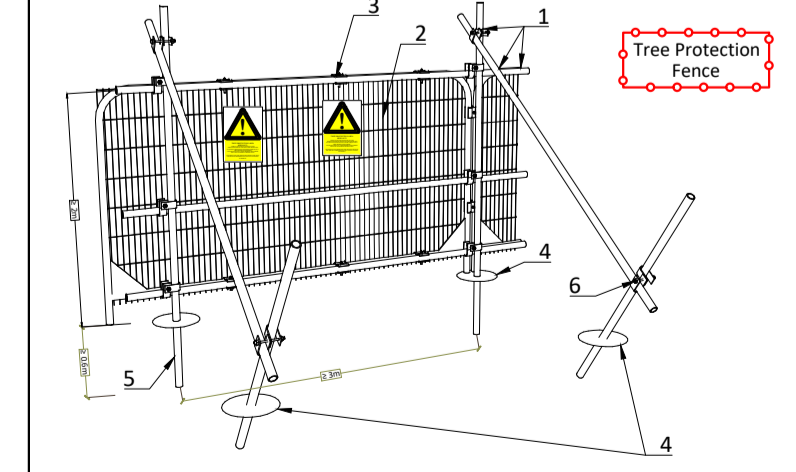
Aspect Tree Consultancy Ltd.
 Level 5 Hamlyn House
 Mardle Way, Buckfastleigh
 Devon TQ11 0NR

Tel: 01364 644822
 www.fresh-aspect.com

DETAIL 2: Ground Level Protection With Tree Protective Barrier
Provide As Plan For Whole Extent of Area Within The RPA



DETAIL 1: Specification For Protective Barrier (Default - BS 5837)
Subject to ground conditions and site specific health and safety assessment



- Key**
- Standard scaffold poles
 - Heavy gauge 2m tall galvanized tube and welded mesh infill panels
 - Panels secured to uprights and cross-members with wire ties
 - Ground level
 - Uprights driven into the ground until secure (minimum depth 0.6m)
 - Standard scaffold clamps

DETAIL 4: Specification For Protective Barrier

